

**INSTRUCTION MANUAL  
BEDIENUNGSANLEITUNG  
MANUEL D'INSTRUCTIONS**



GEBRUIKSAANWIJZING, MANUAL DE INSTRUCCIONES,  
MANUALE D'ISTRUZIONI, MANUAL DE INSTRUÇÕES,  
INSTRUKTIONSMANUAL, BRUKSANVISNING,  
KÄYTTÖOHJEET



**fastwinder**<sup>TM</sup>

**RS0302**

**RS0304**

**RS0305**

**RS0308**

**Thank you for choosing Dynello.  
If you have any questions or comments, please contact us.**

**Vielen Dank, dass Sie sich für Dynello entschieden haben.  
Wenn Sie Fragen oder Kommentare haben, kontaktieren Sie uns  
bitte.**

**Nous vous remercions d'avoir choisi Dynello.  
Si vous avez des questions ou des commentaires, n'hésitez pas à  
nous contacter.**

***www.dynello.com***



---

English <b>(ORIGINAL INSTRUCTIONS)</b>	5
Deutsch <i>(Übersetzung der Original-Bedienungsanleitung)</i>	19
Français <i>(Traduction de la manuel d'instructions originale)</i>	34

---



---

## Definitions: Safety Alert Symbols and Words

This instruction manual uses the following safety alert symbols and words to alert you to hazardous situations and your risk of personal injury or property damage.

**! DANGER** **DANGER!** indicates an imminently hazardous situation which, if not avoided, **will** result in death or serious injury.

**! WARNING** **WARNING!** indicates a potentially hazardous situation which, if not avoided, **could** result in death or serious injury.

**! CAUTION** **CAUTION!** indicates a potentially hazardous situation which, if not avoided, **may** result in minor or moderate injury.



(Used without word) Indicates a safety related message.

**NOTICE:** Indicates a practice **not related to personal injury** which, if not avoided, **may** result in property damage.

---

**READ ALL INSTRUCTIONS  
BEFORE USE**

## GENERAL POWER TOOL SAFETY WARNINGS

**! WARNING** Read all safety warnings and all instructions. Failure to follow the warnings and instructions may result in electric shock, fire and/or serious injury.

**! WARNING** Read all safety warnings and all instructions provided with your power unit before using this attachment. Failure to follow the warnings and instructions may result in electric shock, fire and or serious injury.

*The term "power unit" in the warnings refers to your battery-operated (cordless) power tool.*

*The term "attachment", "add-on(s)" and "product" refers to your delivered Dynello-product(s).*

### Save all warnings and instructions for future reference

#### Intended use

This attachment has been designed for winding applications of "objects" including lashing straps following design specifications in EN 12195-2, bandages and cables as well as other winding applications specified by Dynello.

#### Applicable power units

**! WARNING** Only use the attachment along with a power unit with a maximum rotational speed setting of 400 RPM. It may cause serious injury if higher rotational speed is used.

**! WARNING** Only use the attachment along with a power unit that is equipped with a variable speed trigger switch. It may cause serious injury if the rotational speed cannot be controlled variably.

- Power unit is not included with attachment unless otherwise specified.

#### Additional safety rules for attachment

**! WARNING** Do not wear loose clothing or jewelry while operating the attachment. Keep your hair, clothing and gloves away from moving parts. Loose clothes, jewelry or long hair can be caught in moving parts.

- The attachment is only to be used with applicable power units specified by Dynello.
- Observe all operating instructions and safety regulations contained in the manual for the power unit the attachment is used with.
- Only use attachment with power unit if you are familiar with and can operate the power unit.
- Before use, ensure that the attachment is properly attached to the power unit.
- **Remove the attachment from the power unit before making any assembly, adjustments or changing add-ons.** Such preventive safety measures reduce the risk of starting the power unit accidentally.
- **Before use, set rotational speed setting on power unit to lowest setting (max. 400 RPM).**
- **Before use, set torque setting (if possible) on power unit to lowest setting.**
- **Before use, gather the to be winded object in a collected pile.** Never drag the winded object across the ground during operation.
- Inspect the attachment for wear and damage before use.
- If the attachment is worn or damaged, replace the damaged parts before using the attachment.
- Inspect the attachment for loose parts before use.
- If any parts are loose, tighten the parts before using the attachment.
- Do not touch or insert foreign objects in rotating parts of the attachment, as this may cause risk of injury.
- During operation, never reach into the winded coil. Keep hands clear of rotating parts and **always use proper hand position** during operation.
- **Stop the power unit immediately if the winded object binds and stops.** The attachment can rotate or break if overstressed.
- Release variable speed trigger switch pressure immediately when the end of the winded object approaches the attachment to lower winding speed.
- This tool is intended to be used by a single operator, that they alone are able to control the winding of the winded object. If the winded object get stuck or too twisted, the user must immediately release the variable speed trigger switch on the power unit to prevent any dangerous situations.
- Only use original Dynello add-ons that are suitable to this attachment. Only change add-ons on attachment when attachment is removed from power unit.

- **Use the attachment and add-ons in accordance with these instructions, taking into account the winding application and the object to be winded.** Use of the attachment for operations different from those specified by Dynello could result in a hazardous situation.

### **Additional safety rules for attachment when the winded object (e.g. lashing straps) contains an attached part to its end**

**! WARNING** Before use, ensure that the object is gathered in a collected pile so its end (e.g. metal hook) cannot grip any surrounding objects. It can lead to dangerous situations and serious injury if the winded object is dragged across the ground during winding.

**! WARNING** Always note the end of the winded object (e.g. metal hook) during winding and reduce the rotational speed on the power unit when the metal hook approaches. It may cause serious injury if the attention on the winded objects end is lost.

- **Never drag the lashing strap across the ground during winding.** The metal hook may cause moderate injury if the lashing strap is not winded from a collected pile in a vertical direction.
- Avoid winding very twisted lashing straps. It may cause binding of the lashing strap in the attachment.
- Always use original Dynello– and correct sized add-ons to the specific lashing strap to be winded.

### **Additional safety information**

**! CAUTION** Use of this attachment can sling dust and water from wet/muddy/dusty winded objects during operation which may cause moderate eye or other injury. **ALWAYS** use safety glasses and other protection appropriate for the water/mud/dust exposure. Direct dust and water away from face and body.

- **Do not use product for other than its intended use.** Other uses can may result in serious personal injury.
- **Stay alert, watch what you are doing and use common sense when operating a power unit. Do not use a power unit while you are tired or under the influence of drugs, alcohol or medication.** A moment of inattention while operating power units may result in serious personal injury.
- **Do not overreach. Keep proper footing and balance at all times.** This enables better control of the attachment and power unit in unexpected situations.
- **Do not move while the attachment is being used.** It can cause risk of injury if control of the attachment is lost.



- **Position yourself to avoid being caught in the winded object.** Should the winded object get stuck or jammed during operation, the reaction torque of the power unit could damage the attachment.
- Keep the attachment clean and free from oil and grease. Slippery hands cannot safely control the attachment.

### Safety of others

- This tool is not intended for use by persons (including children) with reduced physical, sensory or mental capabilities, or lack of experience and knowledge, unless they have been given supervision or instruction concerning use of the tool by a person responsible for their safety.
- Children should be supervised to ensure that they do not play with the tool.
- Be aware of your surroundings and never use the tool if there is a risk that might result in dangerous situations.



### Residual risks

Additional residual risks may arise when using the attachment which may not be included in the enclosed safety warnings. These risks can arise from misuse, prolonged use etc. Even with the application of the relevant safety regulations and the implementation of safety devices, certain residual risks can not be avoided. These include:

- Injuries caused by touching any rotating/moving parts.
- Injuries caused when changing any parts, add-ons and attaching the attachment to the power unit.
- Injuries caused by prolonged use of a tool. When using any tool for prolonged periods ensure you take regular breaks.
- Injuries caused by external parts or appliances when operating the attachment. When using the attachment be aware of external rotating/moving parts to avoid injury.

## SYMBOLS

**NOTICE:** Some of the following symbols may be used on your product. Please study them and learn their meaning. Proper interpretation of these symbols will allow you to operate the product better and safer.

Symbol	Name	Designation/Explanation
	CE mark	This symbol designates compliance with EEA standards
	Read manual symbol	Alerts user to read manual
$\emptyset$	Diameter	Size of shanks etc.
RPM	Revolutions or reciprocation per minute	Revolutions, strokes, surface speed, orbits etc. per minute
kg.	Kilograms	Weight

## OTHER SYMBOLS



This symbol alerts user to set rotational speed setting at maximum 400 RPM on the power unit.

## SPECIFICATIONS

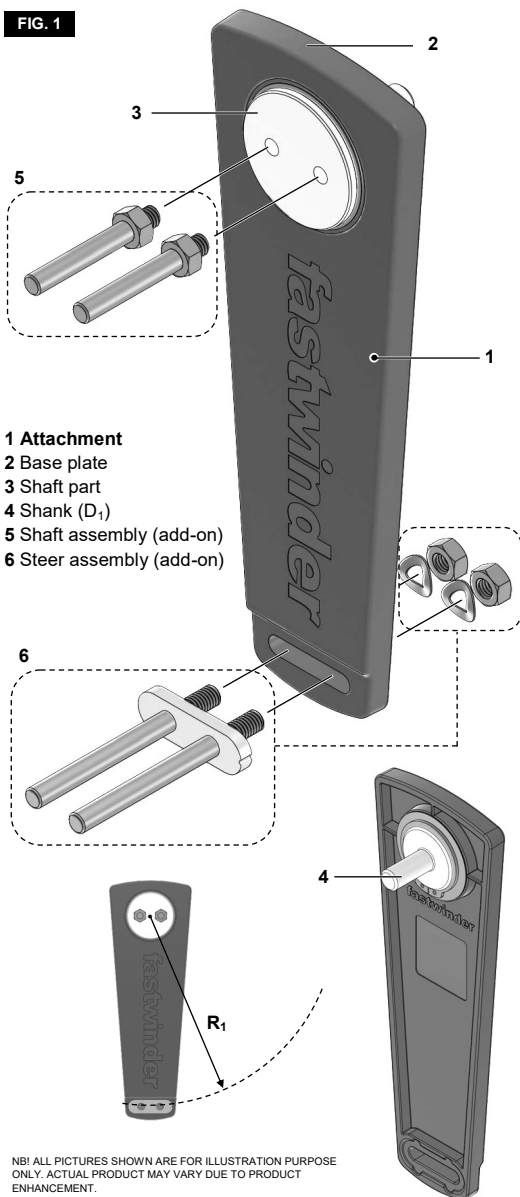
<b>Model number</b>	RS0302 RS0304 RS0305 RS0308
Shank diameter $D_1$	$\emptyset$ 10mm (3/8")
Radius $R_1$	165mm (6.5")
Weight	~0.22 kg.*

\*Minor deviations can occur depending on weight of attached add-ons.

## FUNCTIONAL DESCRIPTION

**! WARNING** Remove the attachment from the power unit before making any assembly, adjustments or changing add-ons. Such preventive safety measures reduce the risk of starting the power unit accidentally.

FIG. 1



## ASSEMBLY

**! WARNING** Remove the attachment from the power unit before making any assembly, adjustments or changing add-ons. Such preventive safety measures reduce the risk of starting the power unit accidentally.

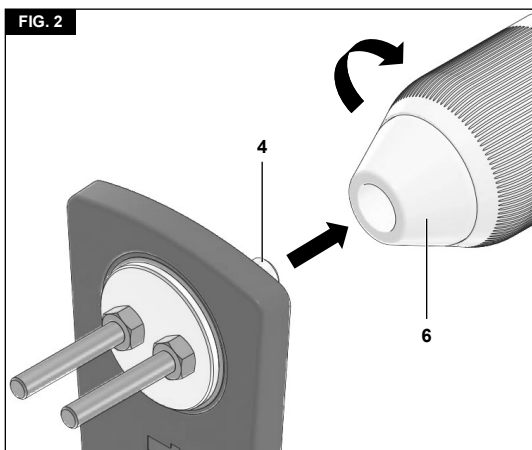
### Attaching/removing the attachment (Fig. 2)

- Open the chuck (6) on the power unit. The chuck must fit a  $\varnothing 10\text{mm}$  shank diameter.
- Insert the shank (4) into the chuck, and tighten the chuck properly.
- To remove the attachment, untighten the chuck and remove the attachment.

**! WARNING** Do not use the power of the power unit while grasping chuck to loosen or tighten shank. Friction burn or hand injury is possible if attempting to grasp the spinning chuck.

#### Assembly and changing of add-ons

Please observe Assembly Guide included with your add-on.



**NB!** Power unit is not included with attachment unless otherwise specified.

## OPERATING INSTRUCTIONS

**! WARNING** Only use the attachment along with a power unit with a maximum rotational speed setting of 400 RPM. It may cause serious injury if higher rotational speed is used.

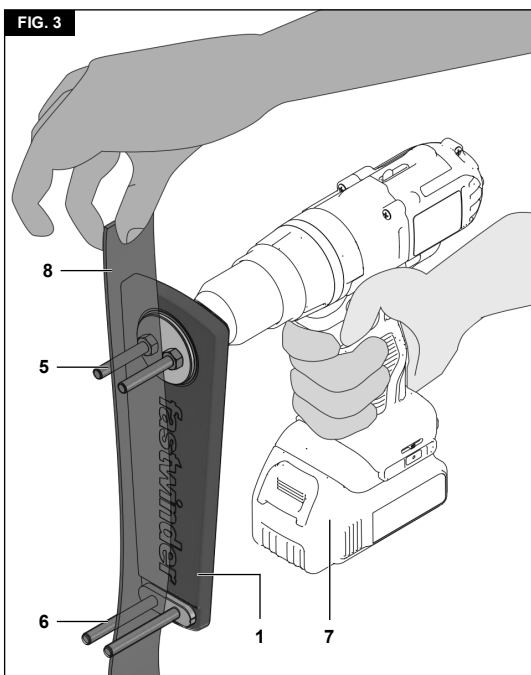
**! WARNING** Only use the attachment along with a power unit that is equipped with a variable speed trigger switch. It may cause serious injury if the rotational speed cannot be controlled variably.

**! WARNING** Always wear eye and other protective equipment appropriate to the winding application.

### Insert object to be winded into the attachment (Fig. 3)

To place object (8) to be winded into attachment (1) align attachment and object in a vertical position and place object between the two pins in the steer assembly (6) and shaft assembly (5).

**HINT!** For easy maneuvering, hold the object still and maneuver the attachment to place the object.



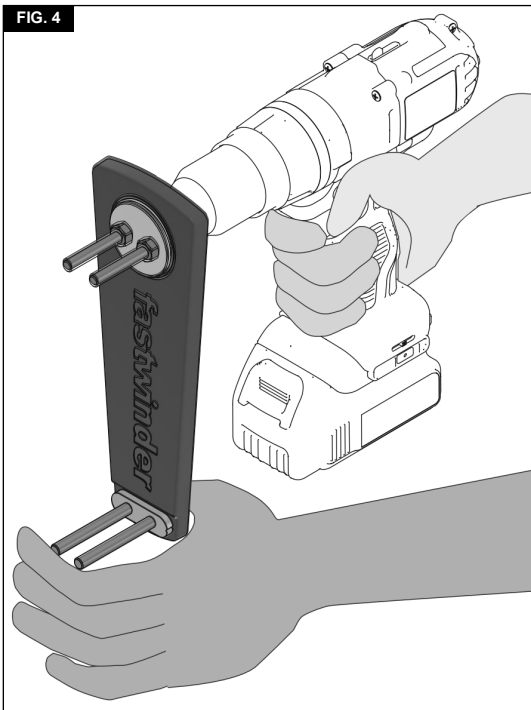
### Proper hand position (Fig. 4)

**! WARNING** To reduce the risk of serious personal injury, **ALWAYS** use proper hand position as shown.

**! WARNING** To reduce the risk of serious personal injury, **ALWAYS** hold securely in anticipation of a sudden reaction.

Proper hand position requires one hand on the power unit (7) and one hand on the attachment (1) as shown in **FIG 4**.

**FIG. 4**



### Before winding application is begun (Fig. 5 & Fig. 6)

1. Before a winding application is begun, ensure the rotational speed setting on the power unit (7) is set to lowest setting (max. 400 RPM) and also set torque setting (if possible) on power unit to lowest setting.

**! WARNING** Only use the attachment along with a power unit with a maximum rotational speed setting of 400 RPM.

**! WARNING** Only use the attachment along with a power unit that is equipped with a variable speed trigger switch.

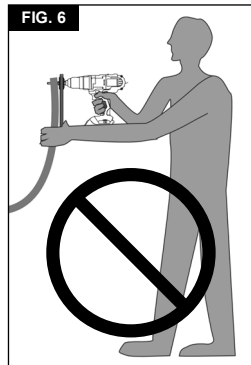
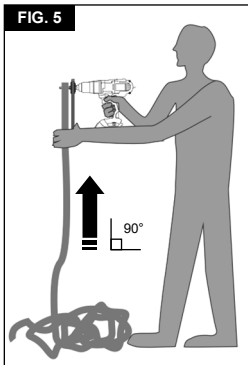
2. Gather object to be winded in a collected pile (**FIG. 5**). **NEVER** drag the object during winding operation across the ground (**FIG. 6**).

**! WARNING** Ensure that the to be winded object is gathered in a collected pile so its end (e.g. metal hook) cannot grip any surrounding objects.



Always strive to wind the object in a straight vertical direction from the collected pile.

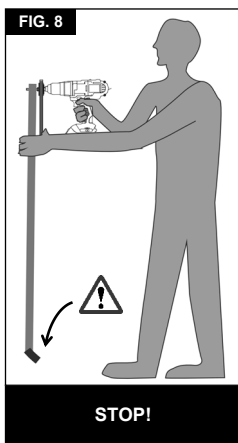
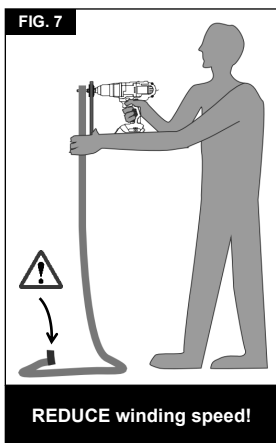
3. Ensure the object to be winded can move freely and you do not stand on it.
4. Ensure to use **proper hand position** before starting a winding application.



### Winding an object (Fig. 7 & Fig. 8)

1. During operation use the variable speed trigger switch on the power unit to control the speed of winding.
2. During operation, never reach into the winded coil. Keep hands clear of rotating parts and always use proper hand position during operation.
3. **REDUCE winding speed** by releasing variable speed trigger switch pressure immediately when the end of the winded object approaches the attachment [**FIG. 7**].
4. **STOP winding speed** by releasing the variable speed trigger switch fully when the object is completely winded [**FIG. 8**].

**! WARNING** Always note the end of the winded object (e.g. metal hook) during winding and reduce the rotational speed on the power unit when the metal hook approaches.



### Remove winded object from attachment

When the object is fully winded remove the coiled object from the attachment.

**HINT!** The tightness of the coiled object can be controlled with the power unit's torque setting.

### OPERATING TIPS

Follow Dynello™ at our YouTube channel where we regularly upload new videos with tips and tricks.

Scan QR code to enter our YouTube channel.



<https://www.youtube.com/c/dynello>



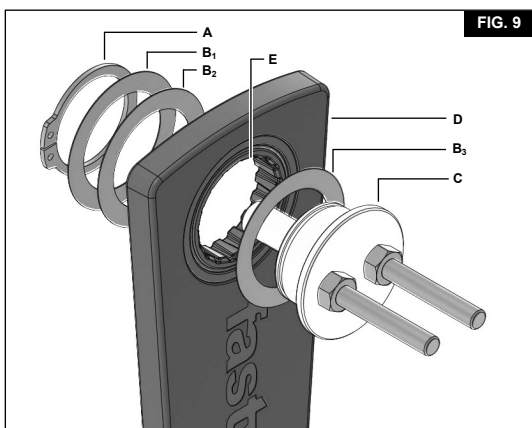
## MAINTENANCE

### Cleaning

**! WARNING** To avoid accidents, always remove the attachment from the power unit before cleaning. The attachment may be cleaned most effectively with a damp cloth.

Winding-shaft opening (E) must be kept clean and free of foreign matter [FIG. 9]

- Remove circlip (A) with a circlip plier.
- Remove shims (B<sub>1</sub> B<sub>2</sub> B<sub>3</sub>) and winding shaft (C) from base plate (D).
- Clean winding shaft (C) and winding shaft opening (E) in base plate (D) with a damp cloth.
- Assemble the product after cleaning in correct order.



NB! ALL PICTURES SHOWN ARE FOR ILLUSTRATION PURPOSE ONLY. ACTUAL PRODUCT MAY VARY DUE TO PRODUCT ENHANCEMENT.

**! CAUTION** Certain cleaning agents and solvents damage plastic parts. Some of these are: gasoline, carbon tetrachloride, chlorinated cleaning solvents, ammonia and household detergents that contain ammonia.

### Tool lubrication

Your Dynello-product uses a dry bearing technology and does not need lubrication and is ready for use.

### Repairs

Should product parts be defective and in need of service or replacement, we recommend contacting your seller or Dynello directly. Find our contact information at [www.dynello.com](http://www.dynello.com)

## EC DECLARATION OF CONFORMITY

### MACHINERY DIRECTIVE



**RS0302, RS0304, RS0305, RS0308**

Dynello declares that these products described under "Specifications" are in compliance with: 2006/42/EC

For more information please visit our website:  
**[www.dynello.com](http://www.dynello.com)**

The undersigned is responsible for compilation of the technical file and makes this declaration on behalf of Dynello.

J. Kjærulff  
CEO

Dynello ApS, Rudemøllevej 78A  
7800 Skive  
Denmark  
21.04.2022

## THANK YOU

Thank you for buying a Dynello-quality product. This product is manufactured on modern production- and quality management methods. We will do everything to ensure that you are satisfied and can use it without any problems. If you have any questions regarding the product, please contact your seller or Dynello.

Further information on the fastwinder™ brand and our range of products is available at **[www.dynello.com](http://www.dynello.com)**

Best regards,

J. Kjærulff, founder of Dynello

---

*The following are trademarks for one or more DYNELLO and fastwinder products: the red color scheme, the blue color scheme, the inverted trapeze product shape, the product names and the kit box configuration.*

**fastwinder™** is a trademark owned by Dynello ApS.

---

---

## **Definitionen: Sicherheitswarnsymbole und Wörter**

In dieser Bedienungsanleitung werden die folgenden Sicherheitswarnsymbole und -begriffe verwendet, um Sie auf gefährliche Situationen und das Risiko von Personen- oder Sachschäden hinzuweisen.

**! GEFAHR** **GEFAHR!** Weist auf eine unmittelbar drohende gefährliche Situation hin, die, sofern nicht vermieden, zu tödlichen oder schweren Verletzungen führt.

**! WARNUNG** **WARNUNG!** Weist auf eine möglicherweise gefährliche Situation hin, die, sofern nicht vermieden, zu tödlichen oder schweren Verletzungen führen kann.

**! VORSICHT** **VORSICHT!** Weist auf eine möglicherweise gefährliche Situation hin, die, sofern nicht vermieden, u.U. zu leichten oder mittelschweren Verletzungen führen kann.



(Wird ohne Wort verwendet) Zeigt eine sicherheitsrelevante Meldung an.

**HINWEIS:** Weist auf ein Verhalten hin, das nichts mit Verletzungen zu tun hat, aber, wenn es nicht vermieden wird, zu Sachschäden führen kann.

---

**ALLE ANWEISUNGEN LESEN  
VOR DER NUTZUNG**

## **ALLGEMEINE SICHERHEITSWARNHINWEISE FÜR ELEKTROWERKZEUGE**

**! WARNUNG** Lesen Sie alle Sicherheitswarnungen und alle Anweisungen. Die Nichtbeachtung der Warnhinweise und Anweisungen kann zu einem elektrischen Schlag, Brand und/oder schweren Verletzungen führen.

**! WARNUNG** Lesen Sie alle Sicherheitshinweise und alle mit dem Elektrowerkzeug gelieferten Anweisungen, bevor Sie dieses Anbaugerät verwenden. Die Nichtbeachtung der Warnhinweise und Anweisungen kann zu einem elektrischen Schlag, Brand oder schweren Verletzungen führen.

*Der Begriff „Elektrowerkzeug“ in den Warnhinweisen bezieht sich auf Ihr akkubetriebenes (kabelloses) Elektrowerkzeug.*

*Die Begriffe "Anbaugerät", "Zubehörteil(e)" und "Produkt" beziehen sich auf Ihr(e) gelieferte(s) Dynello-Produkt(e).*

## **BEWAHREN SIE ALLE WARNHINWEISE UND ANWEISUNGEN ZUM SPÄTEREN NACHSCHLAGEN AUF**

### **Bestimmungsgemäße Verwendung**

Dieses Anbaugerät wurde für das Aufwickeln von " Objekten " wie Zurrgurten nach EN 12195-2, Bandagen und Kabeln sowie für andere von Dynello spezifizierte Wickelanwendungen entwickelt.

### **Geeignete Elektrowerkzeuge**

**! WARNUNG** Verwenden Sie das Anbaugerät nur in Verbindung mit einem Elektrowerkzeug mit einer maximalen Drehzahl von 400 U/min. Die Verwendung einer höheren Drehzahl kann zu schweren Verletzungen führen.

**! WARNUNG** Verwenden Sie das Anbaugerät nur in Verbindung mit einem Elektrowerkzeug, das mit einem Schalter für die variable Drehzahl ausgestattet ist. Es besteht die Gefahr schwerer Verletzungen, wenn die Drehzahl nicht stufenlos geregelt werden kann.

- Sofern nicht anders angegeben, ist das Elektrowerkzeug nicht im Lieferumfang des Anbaugeräts enthalten.

## Zusätzliche Sicherheitshinweise für das Anbaugerät

**! WARNUNG** Tragen Sie geeignete Kleidung. Tragen Sie keine weite Kleidung oder Schmuck. Halten Sie Haare, Kleidung und Handschuhe fern von sich bewegenden Teilen. Weite Kleidung, Schmuck oder lange Haare können von sich bewegenden Teilen erfasst werden.

- Der Anbaugerät darf nur mit den von Dynello spezifizierten und **geeigneten Elektrowerkzeugen** verwendet werden.
- Beachten Sie alle Betriebsanweisungen und Sicherheitsvorschriften, die in der Bedienungsanleitung des Elektrowerkzeugs enthalten sind, mit dem das Anbaugerät verwendet wird.
- Verwenden Sie das Anbaugerät nur dann mit dem Elektrowerkzeug, wenn Sie mit der Bedienung des Elektrowerkzeugs vertraut sind und dieses bedienen können.
- Vergewissern Sie sich vor der Verwendung, dass das Anbaugerät ordnungsgemäß am Elektrowerkzeug befestigt ist.
- **Entfernen Sie das Anbaugerät vom Elektrowerkzeug, bevor Sie es montieren, einstellen oder Zubehörteile austauschen.** Diese vorbeugenden Sicherheitsmaßnahmen verringern das Risiko einer unbeabsichtigten Inbetriebnahme des Elektrowerkzeugs.
- **Stellen Sie vor der Verwendung die Drehzahl am Elektrowerkzeug auf die niedrigste Stufe (max. 400 U/ min).**
- **Stellen Sie vor der Verwendung das Drehmoment (wenn möglich) am Elektrowerkzeug auf die niedrigste Stufe ein.**
- **Sammeln Sie das zu wickelnde Objekt vor dem Gebrauch in einem Stapel.** Ziehen Sie den aufgewickelten Gegenstand während des Betriebs niemals über den Boden.
- Überprüfen Sie das Anbaugerät vor der Verwendung auf Verschleiß und Schäden.
- Wenn das Anbaugerät abgenutzt oder beschädigt ist, ersetzen Sie die beschädigten Teile, bevor Sie das Anbaugerät verwenden.
- Überprüfen Sie das Anbaugerät vor der Verwendung auf lose Teile.
- Wenn Teile locker sind, ziehen Sie sie fest, bevor Sie das Anbaugerät verwenden.

- Berühren Sie die rotierenden Teile des Anbaugeräts nicht und stecken Sie keine Fremdkörper hinein, da dies eine Verletzungsgefahr darstellen kann.
- Greifen Sie während des Betriebs niemals in die gewickelte Wicklung. Halten Sie die Hände von rotierenden Teilen fern und **nehmen Sie während des Betriebs immer die richtige Handhaltung ein.**
- **Halten Sie das Elektrowerkzeug sofort an, wenn sich das aufgewickelte Objekt verheddert und stehen bleibt.** Das Anbaugerät kann sich drehen oder brechen, wenn es überlastet wird.
- **Lassen Sie den Druck des Schalters für die variable Geschwindigkeit sofort los, wenn sich das Ende des aufgewickelten Objekts dem Anbaugerät nähert, um die Wickelgeschwindigkeit zu verringern.**
- Dieses Gerät ist für die Benutzung durch einen einzigen Bediener vorgesehen, der allein in der Lage ist, das Aufwickeln des aufgewickelten Objekts zu kontrollieren. Wenn das aufgewickelte Objekt stecken bleibt oder sich zu sehr verdreht, muss der Benutzer sofort den Auslöseschalter für die variable Geschwindigkeit am Aggregat loslassen, um gefährliche Situationen zu vermeiden.
- Verwenden Sie nur Original Dynello Zubehörteile, die für dieses Anbaugerät geeignet sind. Wechseln Sie Zubehörteile am Anbaugerät nur, wenn das Anbaugerät vom Elektrowerkzeug entfernt ist.
- **Verwenden Sie das Anbaugerät und die Zubehörteile in Übereinstimmung mit dieser Anleitung und unter Berücksichtigung der Wickelanwendung und des zu wickelnden Objekts.** Die Verwendung des Anbaugerätes für andere als die von Dynello angegebenen Arbeiten kann zu einer gefährlichen Situation führen.

### **Zusätzliche Sicherheitsvorschriften für die Anbaugerät, wenn der aufgewickelte Objekt (z. B. Zurrgurte) an seinem Ende ein befestigtes Teil enthält**

**! WARNUNG** Stellen Sie vor der Verwendung sicher, dass der Objekt in einem Stapel gesammelt wird, so dass sein Ende (z. B. Metallhaken) keine umliegenden Gegenstände erfassen kann. Es kann zu gefährlichen Situationen und schweren Verletzungen führen, wenn das aufgewickelte Objekt beim Aufwickeln über den Boden geschleift wird.

**! WARNUNG** Achten Sie beim Aufwickeln immer auf das Ende des aufgewickelten Gegenstandes (z.B. Metallhaken) und reduzieren Sie die Drehzahl des Elektrowerkzeugs, wenn sich der Metallhaken nähert. Es kann zu schweren Verletzungen führen, wenn das Ende des aufgewickelten Objekts nicht beachtet wird.

- **Ziehen Sie den Zurrurt beim Aufwickeln niemals über den Boden.** Der Metallhaken kann mittelschwere Verletzungen verursachen, wenn der Zurrurt nicht von einem gesammelten Stapel aus in vertikaler Richtung gewickelt wird.
- Vermeiden Sie das Wickeln von stark verdrehten Zurrurten. Dies kann zum Verklebmen des Zurrurtes im Anbaugerät führen.
- Verwenden Sie immer Original-Dynello- und Zusatztteile in der richtigen Größe für den jeweiligen Zurrurt.

## **Zusätzliche Sicherheitsinformationen**

**! VORSICHT** Bei der Verwendung dieses Anbaugeräts können während des Betriebs Staub und Wasser von nassen/schlammigen/staubigen, gewickelten Objekten aufgewirbelt werden, was zu leichten Augen- oder anderen Verletzungen führen kann. Verwenden Sie **IMMER eine Schutzbrille** und einen anderen Schutz, der der Wasser-/Schlamm-/Staubbelastung angemessen ist. Leiten Sie Staub und Wasser von Gesicht und Körper weg.

- **Verwenden Sie das Produkt nicht für andere als die bestimmungsgemäße Verwendung.** Eine andere Verwendung kann zu schweren Verletzungen führen.
- **Verwenden Sie das Gerät aufmerksam und vernünftig. Benutzen Sie das Gerät nicht, wenn Sie müde sind oder unter dem Einfluss von Drogen, Alkohol oder Medikamenten stehen.** Ein Moment der Unachtsamkeit beim Gebrauch von Geräten kann zu ernsthaften Verletzungen führen.
- **Greifen Sie nicht zu weit vor. Achten Sie stets auf einen festen Stand und ein gutes Gleichgewicht.** Dies ermöglicht eine bessere Kontrolle über das Anbaugerät und das Elektrowerkzeug in unerwarteten Situationen.
- **Bewegen Sie sich nicht, während das Anbaugerät verwendet wird.** Es besteht Verletzungsgefahr, wenn die Kontrolle über das Anbaugerät verloren geht.
- **Positionieren Sie sich so, dass Sie sich nicht im aufgewickelten Objekt verfangen.** Sollte sich der aufgewickelte Objekt während des Betriebs verfangen oder verklebmen, könnte das Reaktionsmoment des Elektrowerkzeugs das Anbaugerät beschädigen.
- Halten Sie das Anbaugerät sauber und frei von Öl und Fett. Mit glitschigen Händen lässt sich das Anbaugerät nicht sicher bedienen.

## **Sicherheit der anderen**

- Dieses Gerät ist nicht dafür bestimmt, durch Personen (einschließlich Kinder) mit eingeschränkten physischen, sensorischen oder geistigen Fähigkeiten oder mangels Erfahrung und mangels Wissen benutzt zu werden, es sei denn, sie werden durch eine für ihre Sicherheit zuständige Person beaufsichtigt oder erhalten von ihr Anweisungen, wie das Gerät zu benutzen ist.
- Kinder sollten beaufsichtigt werden, um sicherzustellen, dass sie nicht mit dem Werkzeug spielen.
- Achten Sie auf Ihre Umgebung und verwenden Sie das Gerät nicht, wenn es zu gefährlichen Situationen führen könnte.

## **Restrisiken**



Bei der Verwendung des Anbaugeräts können zusätzliche Restrisiken auftreten, die nicht in den beiliegenden Sicherheitshinweisen enthalten sind. Diese Risiken können durch unsachgemäßen Gebrauch, längeren Gebrauch usw. entstehen. Auch bei Anwendung der einschlägigen Sicherheitsvorschriften und dem Einsatz von Sicherheitseinrichtungen lassen sich bestimmte Restrisiken nicht vermeiden. Dazu gehören:

- Verletzungen durch Berühren von rotierenden/beweglichen Teilen.
- Verletzungen beim Auswechseln von Teilen, Zubehörteilen und beim Anbringen des Anbaugeräts am Elektrowerkzeug.
- Verletzungen durch längeren Gebrauch eines Geräts. Achten Sie bei längerem Gebrauch eines Werkzeugs darauf, dass Sie regelmäßig Pausen einlegen.
- Verletzungen durch externe Teile oder Geräte beim Betrieb des Anbaugeräts. Achten Sie bei der Verwendung des Anbaugeräts auf externe rotierende/bewegliche Teile, um Verletzungen zu vermeiden.



## SYMBOLE

**HINWEIS:** Einige der folgenden Symbole können auf Ihrem Produkt verwendet werden. Bitte lesen Sie diese und lernen Sie ihre Bedeutung kennen. Wenn Sie diese Symbole richtig deuten, können Sie das Gerät besser und sicherer bedienen.

Symbole	Name	Bezeichnung/Erläuterung
	CE-Marke	Dieses Symbol kennzeichnet die Einhaltung der EUA-Normen
	Symbol für Handbuch lesen	Weist den Benutzer darauf hin, das Handbuch zu lesen
∅	Durchmesser	Größe der Schäfte usw.
U/MIN	Umdrehungen oder Hin- und Herbewegungen pro Minute	Umdrehungen, Hübe, Oberflächengeschwindigkeit, Orbits usw. pro Minute
kg.	Kilogramm	Gewicht

## ANDERE SYMBOLE



Dieses Symbol warnt den Benutzer davor, die Drehzahl des Elektrowerkzeugs auf maximal 400 U/min einzustellen.

## SPEZIFIKATIONEN

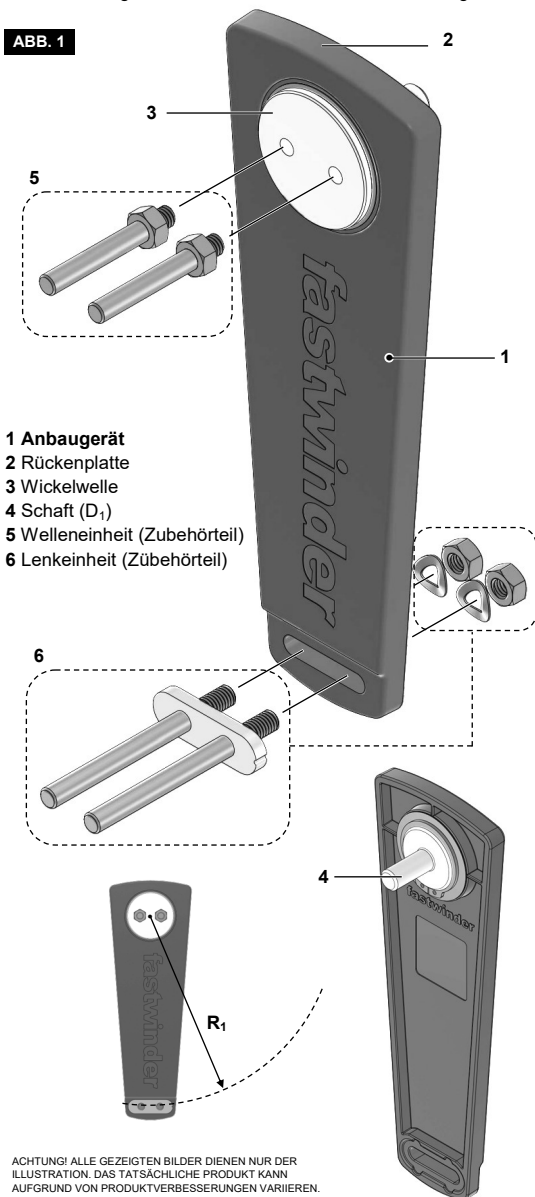
Modellnummer	RS0302 RS0304 RS0305 RS0308
Schaftdurchmesser D <sub>1</sub>	∅ 10mm (3/8")
Radius R <sub>1</sub>	165mm (6.5")
Gewicht	~0.22 kg.*

\*Geringfügige Abweichungen können je nach Gewicht der angebrachten Zubehörteile auftreten.

## FUNKTIONSBESCHREIBUNG

**! WARNUNG** Entfernen Sie das Anbaugerät vom Elektrowerkzeug, bevor Sie es montieren, einstellen oder Zubehörteile austauschen. Diese vorbeugenden Sicherheitsmaßnahmen verringern das Risiko einer unbeabsichtigten Inbetriebnahme des Elektrowerkzeugs.

ABB. 1



## MONTAGE

**! WARNUNG** Entfernen Sie das Anbaugerät vom Elektrowerkzeug, bevor Sie es montieren, einstellen oder Zubehörteile austauschen. Diese vorbeugenden Sicherheitsmaßnahmen verringern das Risiko einer unbeabsichtigten Inbetriebnahme des Elektrowerkzeugs.

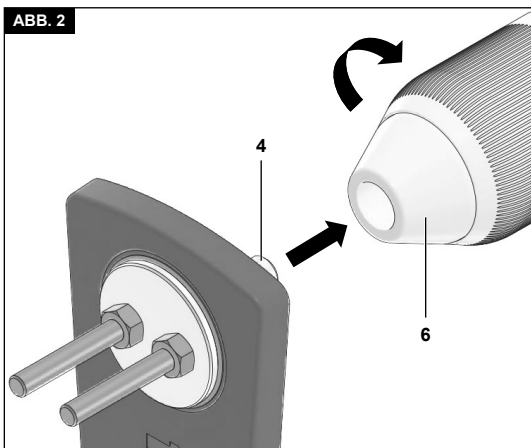
### Anbringen und Entfernen der Anbaugerät (Abb. 2)

- Öffnen Sie das Spannfutter (6) des Elektrowerkzeugs. Das Futter muss einen Schaftdurchmesser von  $\varnothing 10$  mm haben.
- Führen Sie den Schaft (4) in das Spannfutter ein und ziehen Sie das Spannfutter richtig fest.
- Um den Anbaugerät zu entfernen, lösen Sie das Spannfutter und nehmen den Anbaugerät ab.

**! WARNUNG** Verwenden Sie nicht die Kraft des Elektrowerkzeugs, während Sie das Futter greifen, um den Schaft zu lösen oder festzuziehen. Beim Versuch, das sich drehende Spannfutter zu greifen, sind Reibungsverbrennungen oder Handverletzungen möglich.

#### Montage und Änderung von Zubehörteilen

Bitte beachten Sie die Montageanleitung, die Ihrem Zubehörteil beiliegt.



**ACHTUNG!** Das Elektrowerkzeug ist nicht im Lieferumfang des Anbaugeräts enthalten sofern nicht anders angegeben.

## BETRIEBSANLEITUNG

**! WARNUNG** Verwenden Sie das Anbaugerät nur in Verbindung mit einem Elektrowerkzeug mit einer maximalen Drehzahl von 400 U/min. Die Verwendung einer höheren Drehzahl kann zu schweren Verletzungen führen.

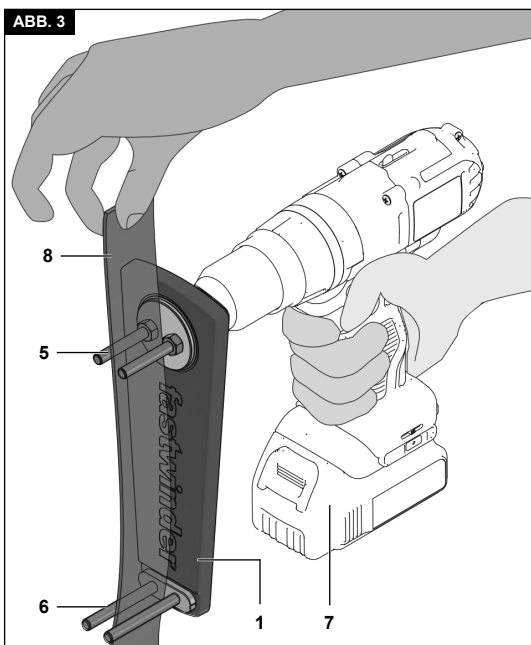
**! WARNUNG** Verwenden Sie das Anbaugerät nur in Verbindung mit einem Elektrowerkzeug, das mit einem Schalter für die variable Drehzahl ausgestattet ist. Es besteht die Gefahr schwerer Verletzungen, wenn die Drehzahl nicht stufenlos geregelt werden kann.

**! WARNUNG** Tragen Sie immer eine für die Anwendung geeignete Schutzbrille und andere Schutzausrüstung.

### Den zu wickelnden Objekt in den Anbaugerät einführen (Abb. 3)

Um den aufzuwickelnden Objekt (8) in der Anbaugerät (1) einzulegen, richten Sie der Anbaugerät und den Objekt in einer vertikalen Position aus und platzieren Sie den Objekt zwischen den beiden Stiften in der Lenkeinheit (6) und der Welleneinheit (5).

**TIPP!** Um das Manövrieren zu erleichtern, halten Sie das Objekt still und bewegen Sie den Anbaugerät, um das Objekt zu platzieren.



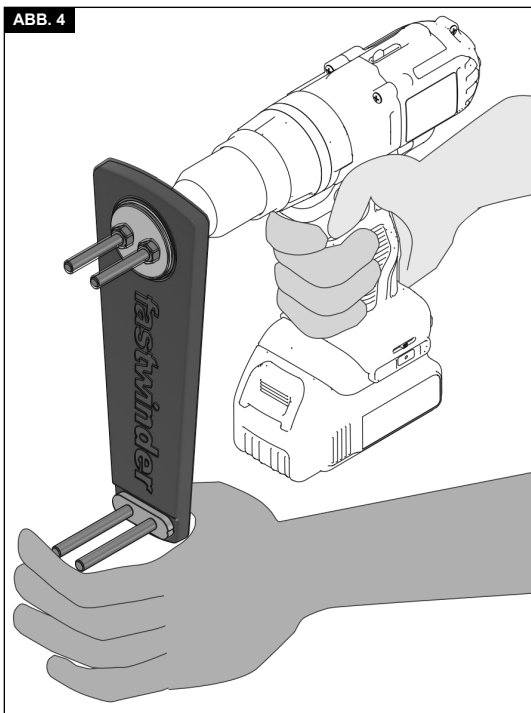
## Richtige Haltung der Hände (Abb. 4)

**! WARNUNG** Um das Risiko schwerer Verletzungen zu verringern, **IMMER** die richtige Handhaltung einnehmen.

**! WARNUNG** Um das Risiko schwerer Verletzungen zu verringern, halten Sie das Gerät **IMMER** fest, wenn Sie eine plötzliche Reaktion erwarten.

Die richtige Handhaltung erfordert eine Hand am Elektrowerkzeug (7) und eine Hand am Anbaugerät (1), wie in **ABB. 4** dargestellt.

**ABB. 4**



## Bevor mit dem Aufwickeln begonnen wird (Abb. 5 & Abb. 6)

1. Stellen Sie vor dem Wickeln sicher, dass die Drehzahl am Elektrowerkzeug (7) auf die niedrigste Stufe eingestellt ist (max. 400 U/min) und stellen Sie auch das Drehmoment (wenn möglich) am Elektrowerkzeug auf die niedrigste Stufe.

**! WARNUNG** Verwenden Sie das Anbaugerät nur in Verbindung mit einem Elektrowerkzeug mit einer maximalen Drehzahl von 400 U/min.

**! WARNUNG** Verwenden Sie das Anbaugerät nur in Verbindung mit einem Elektrowerkzeug, das mit einem Schalter für die variable Drehzahl ausgestattet ist.

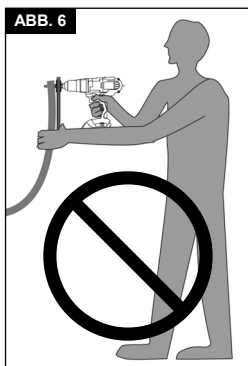
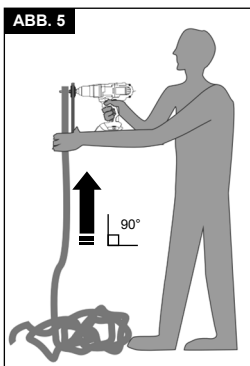
2. Sammeln Sie die zu wickelnden Objekt zu einem Stapel (ABB. 5). Ziehen Sie das Objekt während des Wickelvorgangs **NIEMALS** über den Boden (ABB. 6).

**! WARNUNG** Achten Sie darauf, dass der aufzuwickelnde Objekt in einem Stapel gesammelt wird, so dass sein Ende (z. B. der Metallhaken) keine umliegenden Gegenstände erfassen kann.



Versuchen Sie immer, das Objekt in einer geraden vertikalen Richtung vom gesammelten Stapel zu wickeln.

3. Achten Sie darauf, dass der aufzuwickelnde Objekt frei beweglich ist und Sie nicht auf ihm stehen.
4. Achten Sie auf die richtige Handhaltung, bevor Sie mit dem Aufwickeln beginnen.

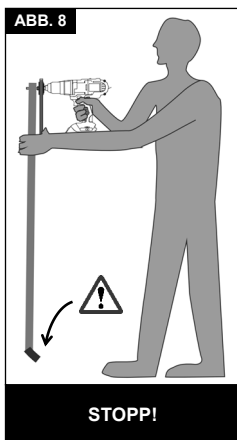
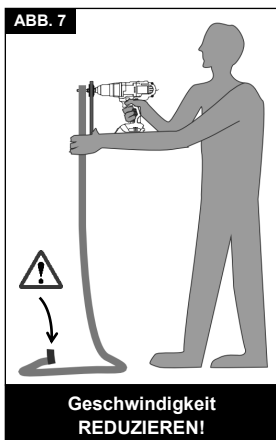


### Wickeln eines Objekts (Abb. 7 & Abb. 8)

1. Verwenden Sie während des Betriebs den Schalter für die variable Geschwindigkeit am Elektrowerkzeug, um die Geschwindigkeit des Aufwickelns zu steuern.
2. Greifen Sie während des Betriebs niemals in die gewickelte Spule. Halten Sie die Hände von rotierenden Teilen fern und nehmen Sie während des Betriebs immer die richtige Handhaltung ein.
3. **Reduzieren Sie die Wickelgeschwindigkeit**, indem Sie den Druck des Schalters für die variable Geschwindigkeit sofort loslassen, wenn sich das Ende des aufgewickelten Objekts der Befestigung nähert [ABB. 7].

4. **STOPPEN Sie die Wickelgeschwindigkeit**, indem Sie den Auslöseschalter für die variable Geschwindigkeit vollständig loslassen, wenn das Objekt vollständig aufgewickelt ist [ABB. 8].

**! WARNUNG** Achten Sie beim Aufwickeln immer auf das Ende des aufgewickelten Gegenstandes (z. B. Metallhaken) und reduzieren Sie die Drehzahl des Elektrowerkzeugs, wenn sich der Metallhaken nähert.



## Aufgewickeltes Objekt aus der Anbaugerät entfernen

Wenn das Objekt vollständig aufgewickelt ist, entfernen Sie das aufgewickelte Objekt aus dem Anbaugerät.

**TIPP!** Die Festigkeit des aufgewickelten Objekts kann mit der Drehmomenteinstellung des Elektrowerkzeugs kontrolliert werden.

## BEDIENUNGSTIPPS

Folgen Sie Dynello™ auf unserem YouTube-Kanal, wo wir regelmäßig neue Videos mit Tipps und Tricks hochladen.

Scannen Sie den QR-Code, um unseren YouTube-Kanal zu betreten.



<https://www.youtube.com/c/dynello>

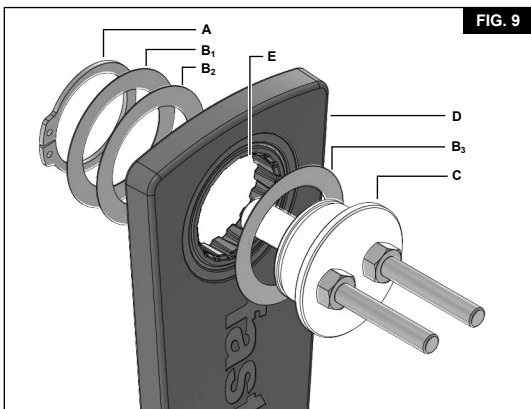
## WARTUNG

### Reinigung

**! WARNUNG** Um Unfälle zu vermeiden, nehmen Sie den Aufsatz vor der Reinigung immer vom Elektrowerkzeug ab. Das Anbaugerät lässt sich am effektivsten mit einem feuchten Tuch reinigen.

Die Öffnung der Wickelwelle (E) muss sauber und frei von Fremdkörpern gehalten werden [ABB. 9].

- Entfernen Sie den Sicherungsring (A) mit einer Sicherungsringzange.
- Unterlegscheiben (B<sub>1</sub> B<sub>2</sub> B<sub>3</sub>) und Wickelwelle (C) von der Grundplatte (D) entfernen.
- Wickelwelle (C) und Wickelwellenöffnung (E) in der Grundplatte (D) mit einem feuchten Tuch reinigen.
- Bauen Sie das Produkt nach der Reinigung in der richtigen Reihenfolge zusammen.



ACHTUNG! ALLE GEZEIGTEN BILDER DIENEN NUR DER ILLUSTRATION. DAS TATSÄCHLICHE PRODUKT KANN AUFGRUND VON PRODUKTVERBESSERUNGEN VARIIEREN.

**! VORSICHT** Bestimmte Reinigungsmittel beschädigen Kunststoffteile. Einige davon sind: Benzin, Tetrachlorkohlenstoff, chlorierte Reinigungsmittel, Ammoniak und ammoniakhaltige Haushaltsreiniger.

### Schmierung der Werkzeuge

Ihr Dynello-Produkt verwendet eine Trockenlagertechnologie und benötigt keine Schmierung und ist sofort einsatzbereit.

### Reparieren

Sollten Produktteile defekt sein und einen Service oder Ersatz benötigen, empfehlen wir Ihnen, sich direkt an Ihren Verkäufer oder an Dynello zu wenden. Unsere Kontaktinformationen finden Sie unter [www.dynello.com](http://www.dynello.com)



## EG-KONFORMITÄTSERKLÄRUNG MASCHINENRICHTLINIE



RS0302, RS0304, RS0305, RS0308

Dynello erklärt, dass diese Produkte, die unter "Spezifikationen" beschrieben sind, den Anforderungen entsprechen: 2006/42/EG

Für weitere Informationen besuchen Sie bitte unsere Website:  
[www.dynello.com](http://www.dynello.com)

Der Unterzeichner ist für die Zusammenstellung der technischen Unterlagen verantwortlich und gibt diese Erklärung im Namen von Dynello ab.

J. Kjærulff  
Geschäftsführer  
Dynello ApS, Rudemøllevej 78A  
7800 Skive  
Denmark  
21.04.2022

## DANKESCHÖN

Vielen Dank, dass Sie sich für ein Dynello Qualitätsprodukt entschieden haben. Dieses Produkt wird nach modernen Produktions- und Qualitätsmanagementmethoden hergestellt. Wir werden alles tun, damit Sie zufrieden sind und es ohne Probleme benutzen können. Sollten Sie Fragen zum Produkt haben, wenden Sie sich bitte an Ihren Verkäufer oder an Dynello.

Weitere Informationen über die Marke fastwinder™ und unser Produktsortiment finden Sie unter [www.dynello.com](http://www.dynello.com)

Mit freundlichen Grüßen,

J. Kjærulff, Gründer von Dynello

---

*Die folgenden Marken stehen für ein oder mehrere DYNELLO - und fastwinder-Produkte: das rote Farbschema, das blaue Farbschema, die Form des umgedrehten Trapezes, die Produktnamen und die Konfiguration der Kit-Box.*

**fastwinder™** ist eine Marke im Besitz von Dynello ApS.

---

---

## Définitions : Symboles et mots d'alerte de sécurité

Ce manuel d'instructions utilise les symboles et mots d'alerte de sécurité suivants pour vous avertir des situations dangereuses et des risques de blessures corporelles ou de dommages matériels.

**! DANGER** **DANGER** indique une situation dangereuse qui, si elle n'est pas évitée, causera la mort d'une personne ou une blessure grave.

**! AVERTISSEMENT** **AVERTISSEMENT** indique une situation dangereuse qui, si elle n'est pas évitée, pourrait causer la mort d'une personne ou une blessure grave.

**! MISE EN GARDE** **MISE EN GARDE**, conjointement avec le symbole d'alerte en liaison avec la sécurité, indique une situation dangereuse qui, si elle n'est pas évitée, causera une blessure légère ou modérée.



(Utilisé sans mot) Indique un message relatif à la sécurité.

**AVIS** : indique une pratique non liée à des blessures corporelles qui, si elle n'est pas évitée, peut entraîner des dommages matériels.

---

**LISEZ TOUTES LES INSTRUCTIONS  
AVANT UTILISATION**

## AVERTISSEMENTS GÉNÉRAUX CONCERNANT LA SÉCURITÉ DES OUTILS ÉLECTROPORTATIFS

**! AVERTISSEMENT** Veuillez lire tous les avertissements et toutes les consignes de sécurité. Si l'on n'observe pas ces avertissements et ces consignes de sécurité, il existe un risque de choc électrique, d'incendie et/ou de blessures corporelles graves.

Lisez tous les avertissements de sécurité et toutes les instructions fournies avec votre outil électrique avant d'utiliser cet adaptateur. Le non-respect des avertissements et des instructions peut entraîner un choc électrique, un incendie ou des blessures graves.

*Le terme « outil électrique » dans les avertissements fait référence à votre outil électrique fonctionnant sur batterie (sans fil).*

*Les termes « adaptateur », « accessoire(s) » et « produit » font référence à votre/vos produit(s) Dynello livré(s).*

### **Conservez tous les avertissements et toutes les consignes de sécurité pour référence future**

#### Utilisation prévue

Cet adaptateur a été conçu pour les applications d'enroulement « d'objets », y compris les sangles d'arrimage conformes aux spécifications de conception de la norme EN 12195-2, les bandages et les câbles, ainsi que d'autres applications d'enroulement spécifiées par Dynello.

#### Outils électriques applicables

**! AVERTISSEMENT** N'utilisez l'adaptateur qu'avec un outil électrique dont la vitesse de rotation maximale est de 400 tr/min. L'utilisation d'une vitesse de rotation supérieure peut entraîner des blessures graves.

**! AVERTISSEMENT** N'utilisez l'adaptateur qu'avec un outil électrique équipé d'un interrupteur à gâchette à vitesse variable. Cela peut provoquer des blessures graves si la vitesse de rotation ne peut pas être contrôlée de manière variable.

- L'outil électrique n'est pas inclus avec l'adaptateur, sauf indication contraire.

## Règles de sécurité supplémentaires pour l'adaptateur

**! AVERTISSEMENT** Ne portez pas de vêtements amples ou de bijoux lorsque vous utilisez l'accessoire. Gardez vos cheveux, vos vêtements et vos gants à l'écart des pièces mobiles. Les vêtements amples, les bijoux ou les cheveux longs peuvent être happés par les pièces mobiles.

- L'adaptateur ne doit être utilisé qu'avec les outils électriques applicables spécifiés par Dynello.
- Respectez toutes les instructions d'utilisation et les règles de sécurité contenues dans le manuel de l'outil électrique avec lequel l'adaptateur est utilisé.
- N'utilisez l'adaptateur avec l'outil électrique que si vous êtes familier avec l'outil électrique et que vous pouvez l'utiliser.
- Avant toute utilisation, assurez-vous que l'adaptateur est correctement fixé à l'outil électrique.
- **Retirez l'adaptateur de l'outil électrique avant d'effectuer tout montage, réglage ou changement d'accessoires.** Ces mesures de sécurité préventives réduisent le risque de démarrage accidentel de l'outil électrique.
- **Avant l'utilisation, réglez la vitesse de rotation de l'outil électrique sur le réglage le plus bas (400 tr/min maximum).**
- **Avant l'utilisation, réglez le couple de serrage (si possible) de l'outil électrique sur le réglage le plus bas.**
- **Avant l'utilisation, rassemblez l'objet à enrouler en une pile collectée.** Ne traînez jamais l'objet à enrouler sur le sol pendant l'utilisation.
- Avant toute utilisation, vérifiez que l'adaptateur n'est pas usé ou endommagé.
- Si l'adaptateur est usé ou endommagé, remplacez les pièces endommagées avant d'utiliser l'adaptateur.
- Avant toute utilisation, vérifiez que l'adaptateur ne comporte pas de pièces détachées.
- Si des pièces sont desserrées, resserrez-les avant d'utiliser l'adaptateur.
- Ne touchez pas et n'insérez pas de corps étrangers dans les parties rotatives de l'adaptateur, car cela pourrait entraîner un risque de blessure.
- Pendant l'utilisation, ne mettez jamais vos mains dans la bobine enroulée. Gardez vos mains à l'écart des pièces en rotation et adoptez toujours la position correcte des mains pendant l'utilisation.

- **Arrêtez immédiatement l'outil électrique si l'objet enroulé se coince et s'arrête.** L'adaptateur peut tourner ou se briser s'il est trop sollicité.
- Relâchez immédiatement la pression de l'interrupteur à gâchette à vitesse variable lorsque l'extrémité de l'objet enroulé s'approche de l'adaptateur pour réduire la vitesse d'enroulement.
- Cet outil est destiné à être utilisé par un seul opérateur, qui est le seul à pouvoir contrôler l'enroulement de l'objet enroulé. Si l'objet enroulé se coince ou est trop tordu, l'utilisateur doit immédiatement relâcher l'interrupteur à gâchette à vitesse variable de l'outil électrique pour éviter toute situation dangereuse.
- N'utilisez que les accessoires Dynello d'origine qui conviennent à cet adaptateur. Ne changez les accessoires sur l'adaptateur que lorsque celui-ci est retiré de l'outil électrique.
- **Utilisez l'adaptateur et les accessoires conformément à ces instructions, en tenant compte de l'application de réenroulement et de l'objet à réenrouler.** L'utilisation de l'adaptateur pour des opérations autres que celles spécifiées par Dynello peut entraîner une situation dangereuse.

## **Règles de sécurité supplémentaires pour l'adaptateur lorsque l'objet à enrouler (par exemple, les sangles d'arrimage) contient une partie attachée à son extrémité.**

**! AVERTISSEMENT** Avant l'utilisation, assurez-vous que l'objet est rassemblé en un tas ramassé de sorte que son extrémité (par exemple le crochet métallique) ne puisse pas s'accrocher aux objets environnants. Cela peut entraîner des situations dangereuses et des blessures graves si l'objet enroulé est traîné sur le sol pendant l'enroulement.

**! AVERTISSEMENT** Notez toujours l'extrémité de l'objet enroulé (par exemple, le crochet métallique) pendant l'enroulement et réduisez la vitesse de rotation de l'outil électrique lorsque le crochet métallique approche. Cela peut provoquer des blessures graves si l'on perd l'attention portée à l'extrémité de l'objet enroulé.

- **Ne traînez jamais la sangle d'arrimage sur le sol pendant l'enroulement.** Le crochet métallique peut provoquer des blessures légères si la sangle d'arrimage n'est pas enroulée verticalement à partir d'une pile collectée.

- Évitez d'enrouler des sangles d'arrimage très tordues. Cela pourrait provoquer un blocage de la sangle d'arrimage dans l'adaptateur.
- Utilisez toujours les accessoires Dynello d'origine et les accessoires de taille correcte pour la sangle d'arrimage spécifique à enrouler.

## Informations supplémentaires sur la sécurité

**! MISE EN GARDE** L'utilisation de cet adaptateur peut projeter de la poussière et de l'eau à partir d'objets humides/boueux/poussiéreux enroulés pendant l'utilisation, ce qui peut causer des blessures modérées aux yeux ou autres. Utilisez **TOUJOURS** des lunettes de sécurité et d'autres protections appropriées à l'exposition à l'eau/boue/poussière. Éloignez la poussière et l'eau du visage et du corps.

- **N'utilisez pas le produit pour un usage autre que celui auquel il est destiné.** Toute autre utilisation peut entraîner des blessures graves.
- **Restez vigilant, regardez ce que vous faites et faites preuve de bon sens lorsque vous utilisez un outil électrique. N'utilisez pas un outil électrique lorsque vous êtes fatigué ou sous l'influence de drogues, d'alcool ou de médicaments.** Un moment d'inattention lors de l'utilisation d'un outil électrique peut entraîner des blessures graves.
- **Ne vous penchez pas trop. Gardez un bon équilibre et un bon pied à tout moment.** Cela permet de mieux contrôler l'adaptateur et l'outil électrique dans des situations inattendues.
- **Ne pas bouger pendant l'utilisation de l'adaptateur.** Cela peut entraîner un risque de blessure en cas de perte de contrôle de l'adaptateur.
- **Se placer de manière à éviter d'être pris dans l'objet enroulé.** Si l'objet enroulé se bloque ou se coince pendant le fonctionnement, le couple de réaction de l'outil électrique pourrait endommager l'adaptateur.
- Gardez l'adaptateur propre et exempt d'huile et de graisse. Les mains glissantes ne peuvent pas contrôler l'adaptateur en toute sécurité.

## Sécurité des autres

- Cet outil n'est pas destiné à être utilisé par des personnes (y compris des enfants) dont les capacités physiques, sensorielles ou mentales sont réduites, ou qui manquent d'expérience et de connaissances, à moins qu'elles n'aient reçu une surveillance ou des instructions concernant l'utilisation de l'outil par une personne responsable de leur sécurité.

- Les enfants doivent être surveillés pour s'assurer qu'ils ne jouent pas avec l'outil.
- Soyez conscient de votre environnement et n'utilisez jamais l'outil s'il existe un risque qui pourrait entraîner des situations dangereuses.



## **Risques résiduels**

L'utilisation de l'adaptateur peut entraîner des risques résiduels supplémentaires qui peuvent ne pas être inclus dans les avertissements de sécurité ci-joints. Ces risques peuvent résulter d'une mauvaise utilisation, d'une utilisation prolongée, etc. Même avec l'application des règles de sécurité pertinentes et la mise en œuvre de dispositifs de sécurité, certains risques résiduels ne peuvent être évités. Il s'agit notamment de :

- Blessures causées par le contact avec des pièces rotatives/mobiles.
- Blessures causées lors du changement de pièces, d'accessoires et de la fixation de l'adaptateur à l'outil électrique.
- Blessures causées par l'utilisation prolongée d'un outil. Lorsque vous utilisez un outil pendant des périodes prolongées, veillez à faire des pauses régulières.
- Blessures causées par des pièces ou appareils externes lors de l'utilisation de l'adaptateur. Lorsque vous utilisez l'adaptateur, faites attention aux pièces externes en rotation/mouvement pour éviter toute blessure.

## SYMBOLES

**AVIS :** Certains des symboles suivants peuvent être utilisés sur votre produit. Veuillez les étudier et apprendre leur signification. Une interprétation correcte de ces symboles vous permettra d'utiliser le produit de manière plus efficace et plus sûre.

Symbole	Nom	Désignation / Explication
	Marque CE	Ce symbole désigne la conformité aux normes de l'AEE
	Lire le symbole du manuel	Alerte l'utilisateur pour qu'il lise le manuel
∅	Diamètre	Taille de la tige, etc.
tr/min	Révolutions ou réciprocité par minute	Révolutions, courses, vitesse de surface, orbites etc. par minute
kg.	Kilogrammes	Poids

## AUTRES SYMBOLES



Ce symbole avertit l'utilisateur qu'il doit régler la vitesse de rotation de l'outil électrique à 400 tr/min maximum.

## SPÉCIFICATIONS

Numéro de modèle	RS0302 RS0304 RS0305 RS0308
Diamètre de la tige D <sub>1</sub>	∅ 10mm (3/8")
Rayon R <sub>1</sub>	165mm (6.5")
Poids	~0.22 kg.*

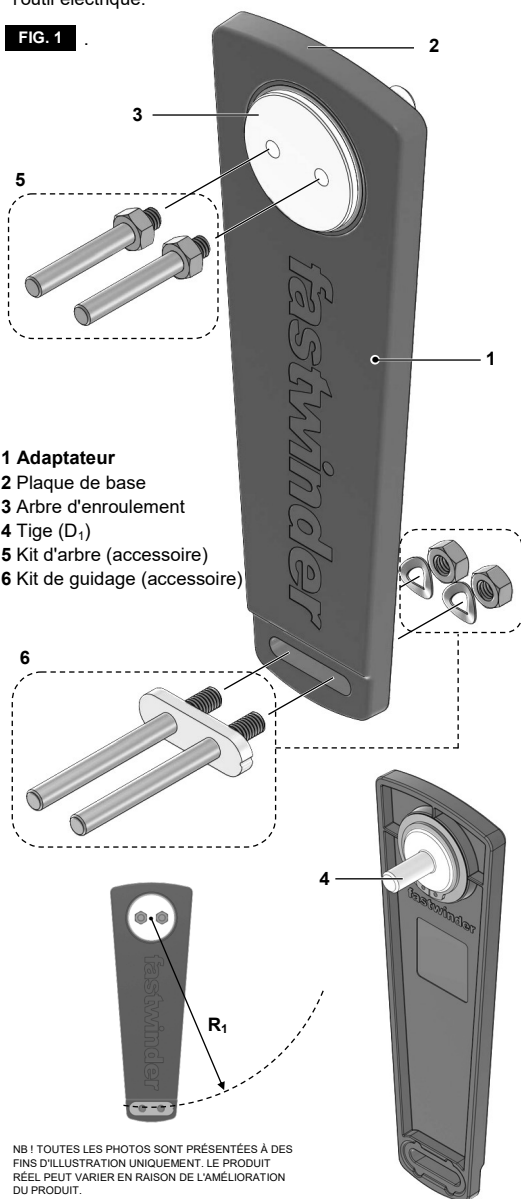
\*Des écarts mineurs peuvent se produire en fonction du poids des accessoires joints.



## DESCRIPTION FONCTIONNELLE

**! AVERTISSEMENT** Retirez l'adaptateur de l'outil électrique avant d'effectuer tout montage, réglage ou changement d'accessoire. Ces mesures de sécurité préventives réduisent le risque de démarrage accidentel de l'outil électrique.

FIG. 1



- 1 Adaptateur
- 2 Plaque de base
- 3 Arbre d'enroulement
- 4 Tige (D<sub>1</sub>)
- 5 Kit d'arbre (accessoire)
- 6 Kit de guidage (accessoire)

NB ! TOUTES LES PHOTOS SONT PRÉSENTÉES À DES FINS D'ILLUSTRATION UNIQUEMENT. LE PRODUIT RÉEL PEUT VARIER EN RAISON DE L'AMÉLIORATION DU PRODUIT.

## ASSEMBLAGE

**! AVERTISSEMENT** Retirez l'adaptateur de l'outil électrique avant d'effectuer tout montage, réglage ou changement d'accessoire. Ces mesures de sécurité préventives réduisent le risque de démarrage accidentel de l'outil électrique.

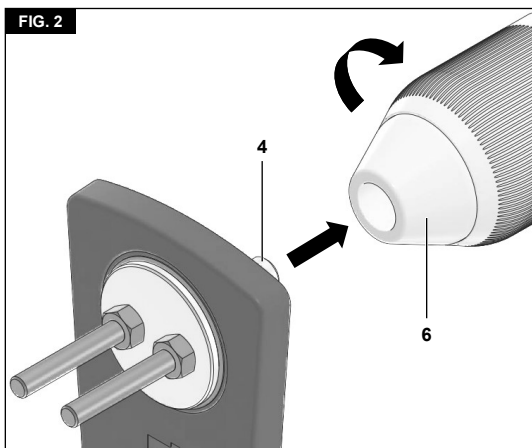
### Fixation/retrait de l'adaptateur (Fig. 2)

- Ouvrez le mandrin (6) de l'outil électrique. Le mandrin doit être adapté à une tige de Ø10mm de diamètre.
- Insérez la tige (4) dans le mandrin, et serrez le mandrin correctement.
- Pour retirer l'adaptateur, desserrez le mandrin et retirez l'adaptateur.

**! AVERTISSEMENT** N'utilisez pas la puissance de l'outil électrique en saisissant le mandrin pour desserrer ou serrer la tige. Des brûlures par friction ou des blessures à la main sont possibles si vous essayez de saisir le mandrin en rotation.

### Montage et modification des accessoires

Veuillez respecter le guide d'assemblage fourni avec votre accessoire.



**NB !** L'outil électrique n'est pas inclus avec l'adaptateur sauf indication contraire.

## CONSIGNES DE FONCTIONNEMENT

**! AVERTISSEMENT** N'utilisez l'adaptateur qu'avec un outil électrique dont la vitesse de rotation maximale est de 400 tr/min. L'utilisation d'une vitesse de rotation supérieure peut entraîner des blessures graves.

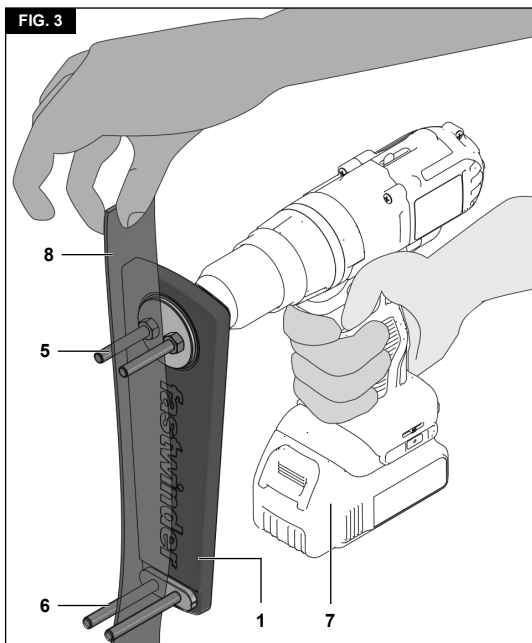
**! AVERTISSEMENT** N'utilisez l'adaptateur qu'avec un outil électrique équipé d'un interrupteur à gâchette à vitesse variable. Cela peut provoquer des blessures graves si la vitesse de rotation ne peut pas être contrôlée de manière variable.

**! AVERTISSEMENT** Portez toujours un équipement de protection des yeux et un autre équipement de protection adapté à l'application de l'enrouleur.

### Insérer l'objet à enrouler dans l'adaptateur (Fig. 3)

Pour placer l'objet (8) à enrouler dans l'adaptateur (1), aligner l'adaptateur et l'objet en position verticale et placer l'objet entre les deux axes du kit de guidage (6) et du kit d'arbre (5).

**CONSEIL !** Pour faciliter la manœuvre, tenez l'objet immobile et manœuvrez l'adaptateur pour placer l'objet.



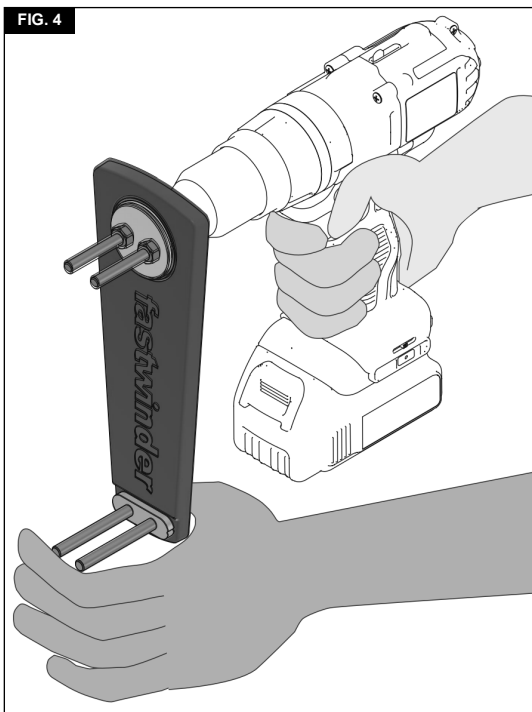
## Position correcte de la main (Fig. 4)

**! AVERTISSEMENT** Pour réduire le risque de blessures graves, utilisez **TOUJOURS** la position correcte des mains comme indiqué.

**! AVERTISSEMENT** Pour réduire le risque de blessures graves, tenez **TOUJOURS** fermement l'appareil en prévision d'une réaction soudaine.

La position correcte des mains nécessite une main sur l'outil électrique (7) et une main sur l'adaptateur (1) comme indiqué sur la FIG 4.

FIG. 4



## Avant de commencer l'application de l'enroulement (Fig. 5 & Fig. 6)


1. Avant de commencer l'application d'un enroulement, assurez-vous que le réglage de la vitesse de rotation de l'outil électrique (7) est réglé sur la valeur la plus basse (400 tr/min maximum) et réglez également le couple (si possible) sur l'outil électrique sur la valeur la plus basse.

**! AVERTISSEMENT** N'utilisez l'adaptateur qu'avec un outil électrique dont la vitesse de rotation maximale est de 400 tr/min.

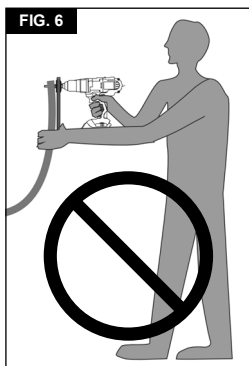
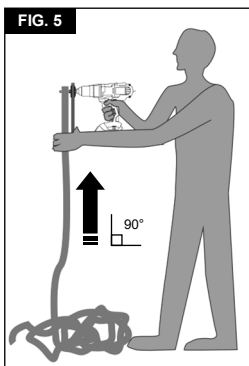
**! AVERTISSEMENT** N'utilisez l'adaptateur qu'avec un outil électrique équipé d'un interrupteur à gâchette à vitesse variable.

- Rassemblez l'objet à enrouler en une pile collectée (**FIG. 5**). Ne traînez **JAMAIS** l'objet sur le sol pendant l'opération d'enroulement (**FIG. 6**).

**! AVERTISSEMENT** Veillez à ce que l'objet à enrouler soit rassemblé de manière à ce que son extrémité (par exemple, le crochet métallique) ne puisse pas saisir les objets environnants.

 Il faut toujours s'efforcer d'enrouler l'objet dans une direction verticale droite à partir de la pile collectée.

- Assurez-vous que l'objet à enrouler peut bouger librement et que vous ne vous tenez pas dessus.
- Veillez à adopter une **position de main correcte** avant de commencer une application de réenroulement.

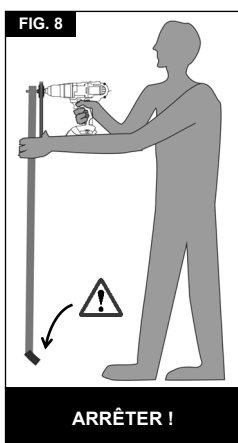
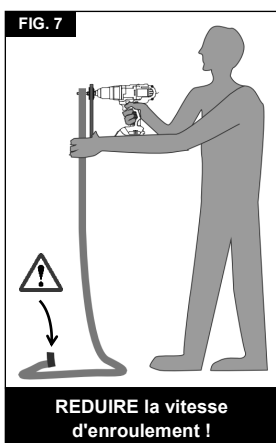


## Enroulement d'un objet (Fig. 7 & Fig. 8)

- Pendant le fonctionnement, utilisez l'interrupteur à gâchette à vitesse variable de l'outil électrique pour contrôler la vitesse de l'enroulement.
- Pendant le fonctionnement, ne mettez jamais les mains dans la bobine enroulée. Gardez les mains à l'écart des pièces en rotation et adoptez toujours une position correcte des mains pendant le fonctionnement.

1. **RÉDUISEZ** la vitesse d'enroulement en relâchant la pression de l'interrupteur à gâchette à vitesse variable immédiatement lorsque l'extrémité de l'objet enroulé s'approche de l'adaptateur [FIG. 7].
2. **ARRÊTEZ** la vitesse d'enroulement en relâchant complètement l'interrupteur à gâchette à vitesse variable lorsque l'objet est complètement enroulé [FIG. 8].

**! AVERTISSEMENT** Notez toujours l'extrémité de l'objet enroulé (par exemple, le crochet métallique) pendant l'enroulement et réduisez la vitesse de rotation de l'outil électrique lorsque le crochet métallique s'approche de l'adaptateur.



## Retirer l'objet enroulé de l'adaptateur

Lorsque l'objet est complètement enroulé, retirez l'objet enroulé de l'adaptateur.

**CONSEIL !** Le serrage de l'objet enroulé peut être contrôlé par le réglage du couple de l'outil électrique.

## CONSEILS D'UTILISATION

Suivez Dynello™ sur notre chaîne YouTube où nous mettons régulièrement en ligne de nouvelles vidéos avec des conseils et des astuces. Scannez le code QR pour accéder à notre chaîne YouTube.



<https://www.youtube.com/c/dynello>

## ENTRETIEN

### Nettoyage

**! AVERTISSEMENT** Pour éviter les accidents, toujours retirer l'adaptateur de l'outil électrique avant de le nettoyer. L'adaptateur peut être nettoyé plus efficacement avec un chiffon humide.

L'ouverture de l'arbre d'enroulement (E) doit être maintenue propre et exempte de corps étrangers [FIG. 9].

- Retirez le circlip (A) avec une pince à circlip.
- Retirer les cales (B<sub>1</sub> B<sub>2</sub> B<sub>3</sub>) et l'arbre d'enroulement (C) de la plaque de base (D).
- Nettoyez l'arbre d'enroulement (C) et l'ouverture de l'arbre d'enroulement (E) dans la plaque de base (D) avec un chiffon humide.
- Après le nettoyage, montez le produit dans l'ordre correct.

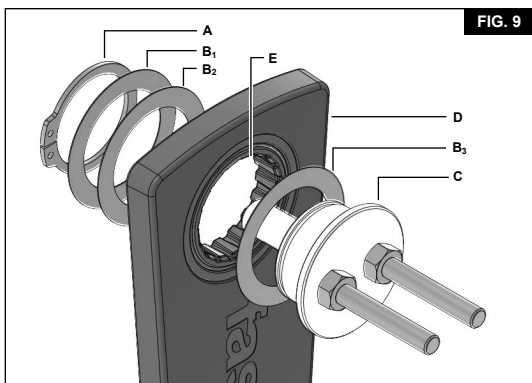


FIG. 9

NB ! TOUTES LES PHOTOS SONT PRÉSENTÉES À DES FINS D'ILLUSTRATION UNIQUEMENT. LE PRODUIT RÉEL PEUT VARIER EN RAISON DE L'AMÉLIORATION DU PRODUIT.

**! MISE EN GARDE** Certains agents de nettoyages et certains dissolvants abîment les pièces en plastique. Parmi ceux-ci se trouvent: l'essence, le tétrachlorure de carbone, les dissolvants de nettoyage chlorés, l'ammoniaque ainsi que les détergents domestiques qui en contiennent.

### Lubrification des outils

Votre produit Dynello utilise une technologie de roulement à sec et n'a pas besoin d'être lubrifié et est prêt à l'emploi.

### Réparations

Si des pièces du produit sont défectueuses et nécessitent un entretien ou un remplacement, nous vous recommandons de contacter votre vendeur ou Dynello directement.

Vous trouverez nos coordonnées sur [www.dynello.com](http://www.dynello.com)

**DÉCLARATION DE CONFORMITÉ CE**  
DIRECTIVE SUR LES MACHINES**RS0302, RS0304, RS0305, RS0308**

Dynello déclare que ces produits décrits dans la section  
"Spécifications" sont conformes à : 2006/42/CE

Pour plus d'informations, veuillez consulter notre site web :  
**[www.dynello.com](http://www.dynello.com)**

Le soussigné est responsable de la constitution du dossier  
technique et fait cette déclaration au nom de Dynello.

J. Kjærulff  
Directeur  
Dynello ApS, Rudemøllevej 78A  
7800 Skive  
Danemark  
21.04.2022

**MERCI**

Nous vous remercions d'avoir acheté un produit de qualité  
Dynello. Ce produit est fabriqué selon des méthodes  
modernes de production et de gestion de la qualité. Nous  
ferons tout pour que vous soyez satisfait et que vous puissiez  
l'utiliser sans problème. Si vous avez des questions  
concernant le produit, veuillez contacter votre vendeur ou  
Dynello.

Vous trouverez de plus amples informations sur la marque  
fastwinder™ et notre gamme de produits sur le site  
**[www.dynello.com](http://www.dynello.com)**

Salutations,

J. Kjærulff, fondateur de Dynello

---

*Les éléments suivants sont des marques commerciales pour  
un ou plusieurs produits DYNELLO et fastwinder : le schéma  
de couleur rouge, le schéma de couleur bleu, la forme du  
produit en trapèze inversé, les noms des produits et la confi-  
guration de la boîte du kit.*

*fastwinder™ est une marque déposée appartenant à Dynello  
ApS.*

---









All rights reserved. Copyright © Dynello 2022